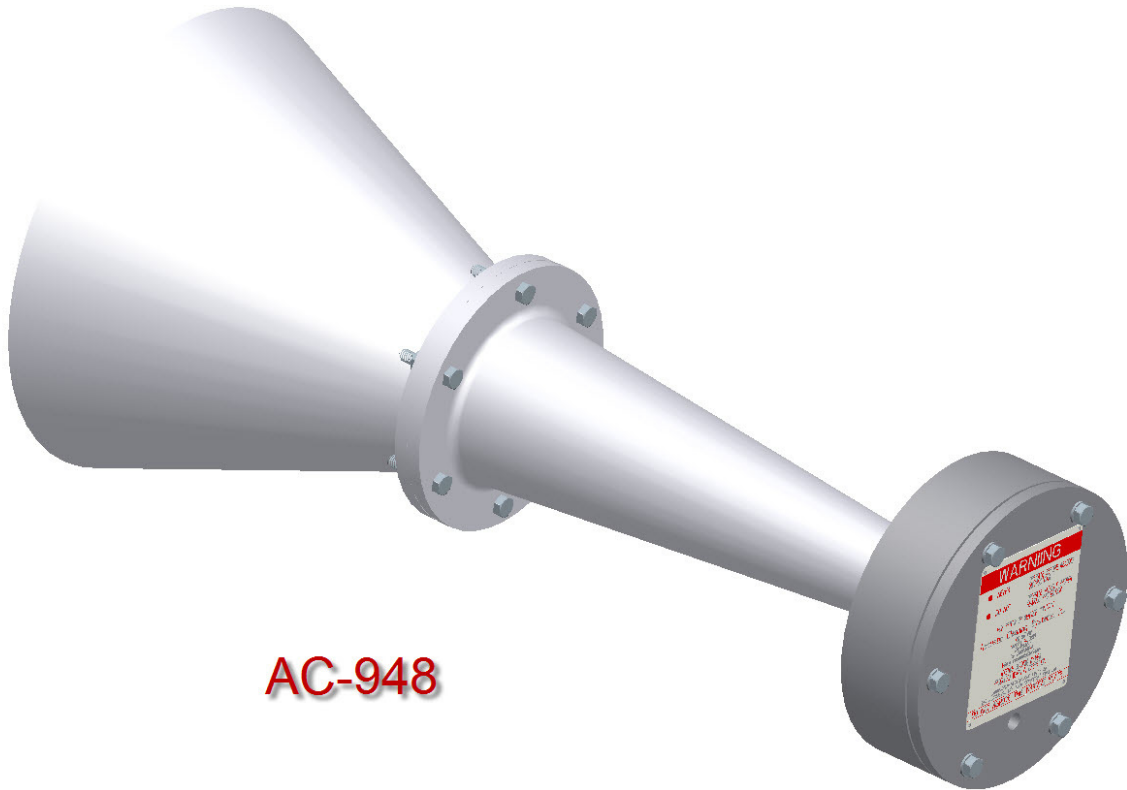


MODEL AC-230
AC-948



AC-948

Part No. as shown: AC-948

Fundamental Frequency: 230 Hz

Output Power: 150 dB @ 1 Meter from bell

Material of Construction: Bell Section A: Cast SS, Bell Section B: Cast SS, Sound Generator: Zinc Plated Carbon Steel

Weight: 56.5lbs Without mounting hardware

Length: Overall length 26.8"

Air Consumption: 80 SCFM @ 80 PSI