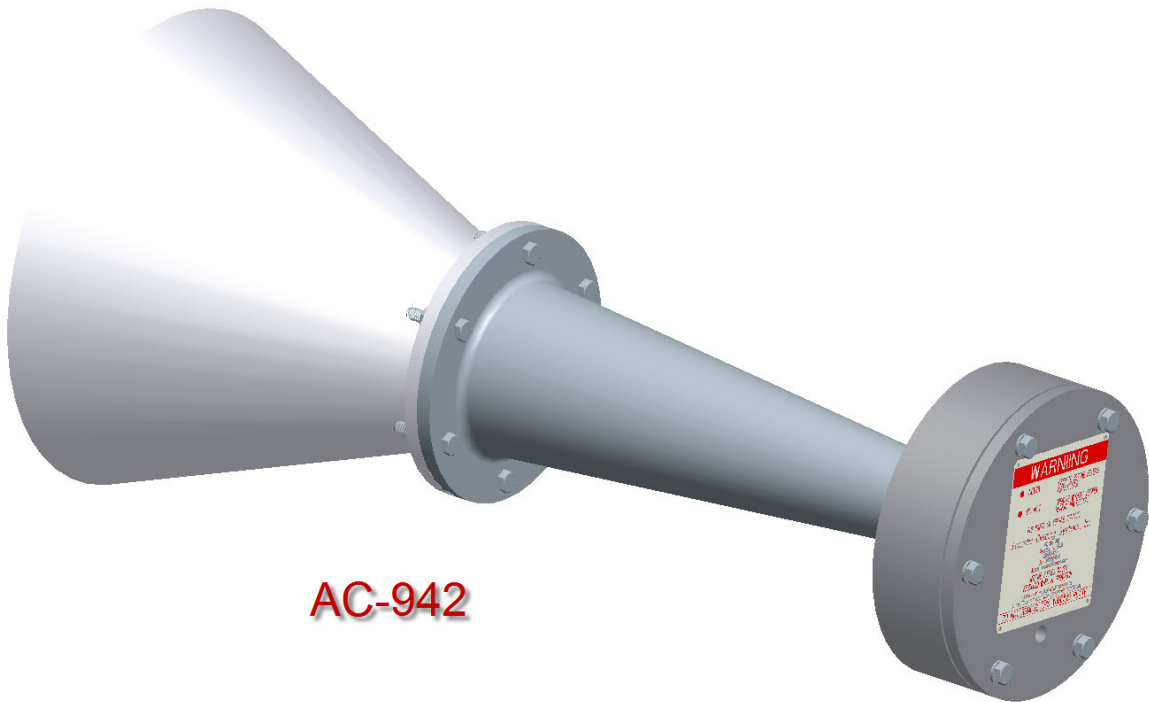


MODEL AC-230
AC-942



AC-942

Part No. as shown: AC-942

Fundamental Frequency: 230 Hz

Output Power: 150 dB @ 1 Meter from bell

Material of Construction: Bell Section A: Powder Coated Cast Iron, Bell Section B: Cast SS, Sound Generator: Zinc Plated Carbon Steel

Weight: 57lbs Without mounting hardware

Length: Overall length 26.8"

Air Consumption: 80 SCFM @ 80 PSI