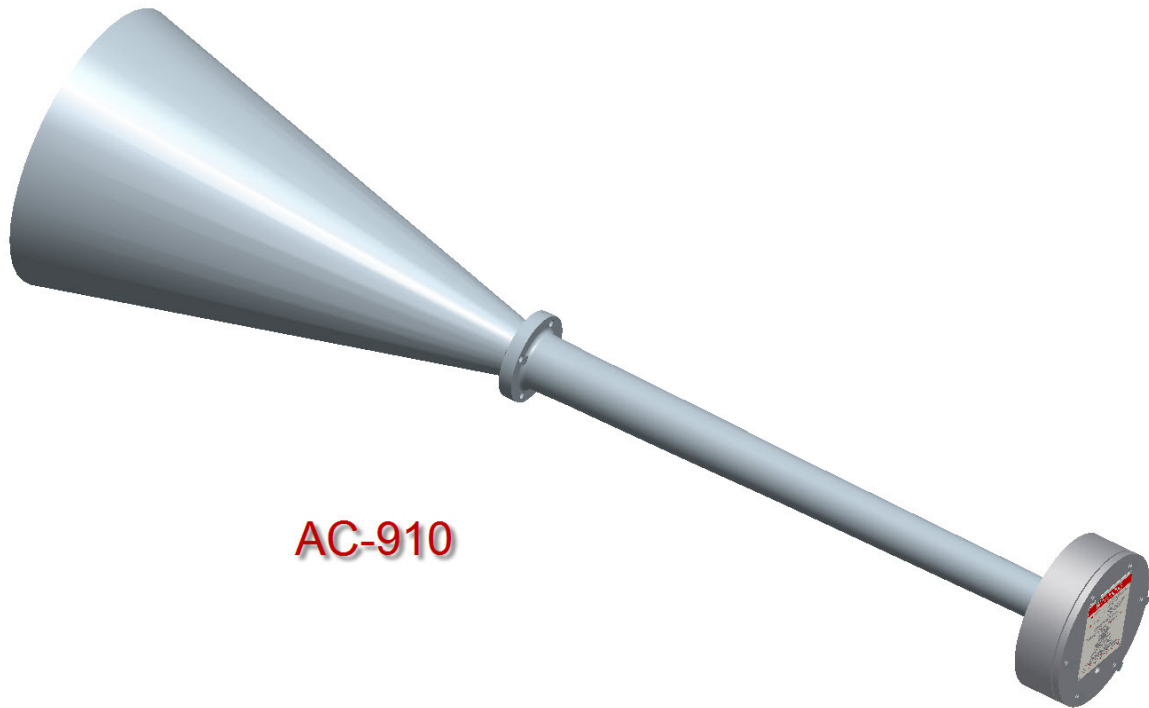


**MODEL BH-75**  
**AC-910**



**AC-910**

**FUNDAMENTAL FREQUENCY:** 75 Hz

**OUTPUT POWER:** 150 dB

**MATERIAL OF CONSTRUCTION:** BELL SECTION A CAST IRON, BELL SECTION B FABRICATED CARBON STEEL, SOUND GENERATOR ZINC PLATED CAST IRON

**WEIGHT:** 53lbs WITHOUT MOUNTING HARDWARE

**LENGTH:** DISTANCE FROM SOUND GENERATOR COVER PLATE TO END OF B SECTION 55.75"

**AIR CONSUMPTION:** 80 SCFM @ 80 PSI