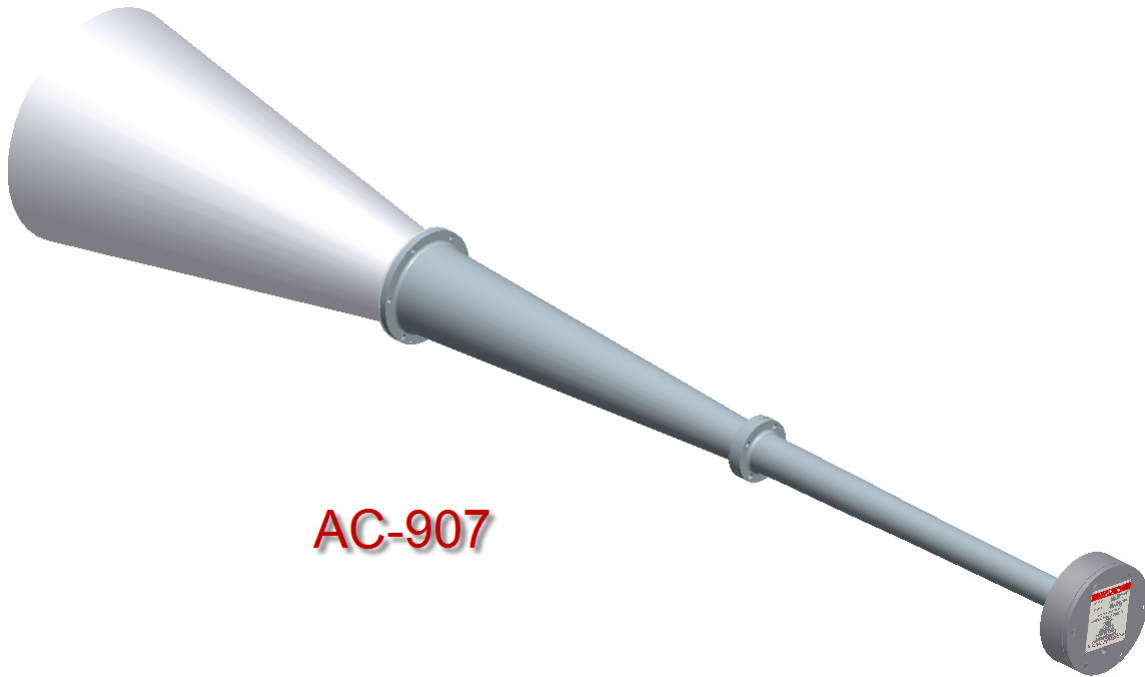


**MODEL AC-75**  
**AC-907**



**FUNDAMENTAL FREQUENCY:** 75 Hz

**OUTPUT POWER:** 147 dB

**MATERIAL OF CONSTRUCTION:** BELL SECTION A CAST IRON, BELL SECTION B CAST IRON, BELL SECTION C FABRICATED STAINLESS STEEL, SOUND GENERATOR ZINC PLATED CARBON STEEL

**WEIGHT:** 117.5lbs WITHOUT MOUNTING HARDWARE

**LENGTH:** DISTANCE FROM SOUND GENERATOR COVER PLATE TO END OF C SECTION 91.78"

**AIR CONSUMPTION:** 80 SCFM @ 80 PSI